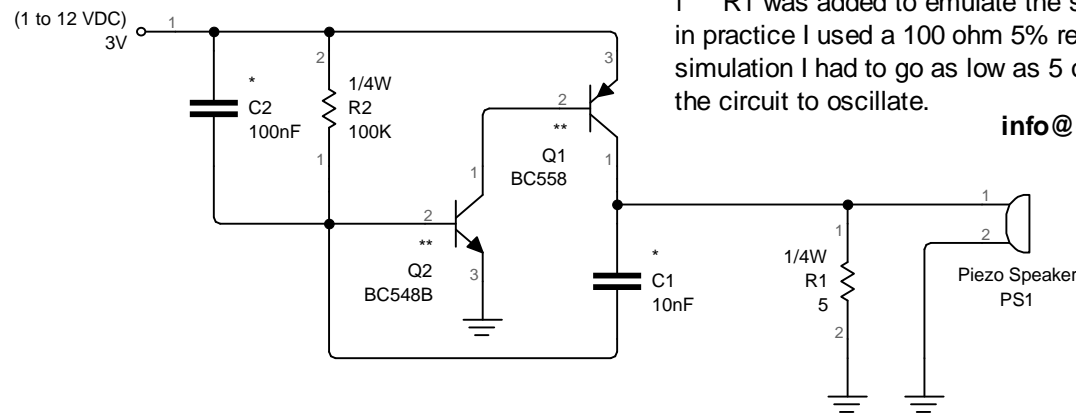


Simple Audio Oscillator MK2

- | Added C2 to improve output power
- | Removed the 8 ohms speaker and used a piezo speaker instead.
- | R1 was added to emulate the speaker load, in practice I used a 100 ohm 5% resistor, in the simulation I had to go as low as 5 ohms to get the circuit to oscillate.

info@gushh.net



* Any type, I used polyester but anything goes.

** If you can't find the BC series try using the 2222 w with it's complementary PNP, or the 3094. Pretty much any general purpose transistor will do.